

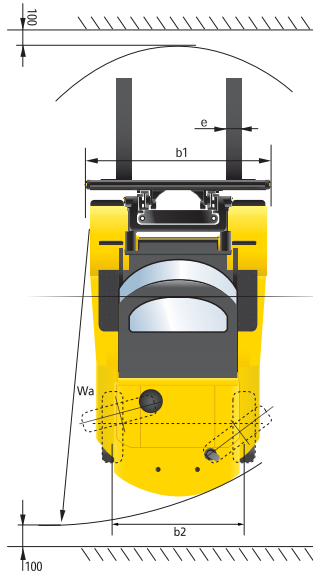
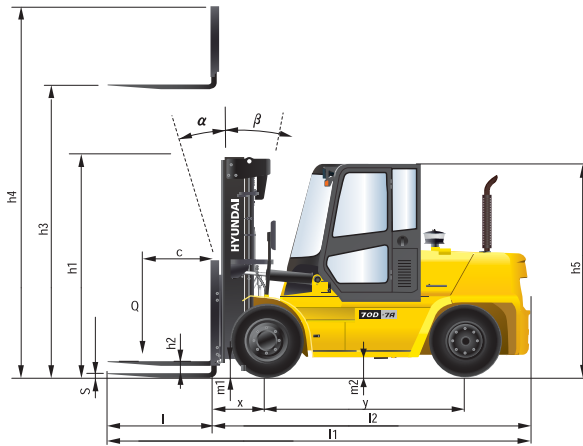
New Diesel Forklifts

70D-7A

Your satisfaction is **our priority!**



Dimension



Specification

Item		Unit	70D-7A		
Fork	Load capacity / rated load	Q	lb (kg)	15,400 (7,000)	
	Load center distance	c	in (mm)	24 (600)	
	Lift height	h3	in (mm)	119 (3,030)	
	Free lift height	h2	in (mm)	6 (140)	
	Lift speed, loaded / unloaded		ft/s (mm/s)	1.4 / 1.5 (420 / 460)	
	Lowering speed, loaded / unloaded		ft/s (mm/s)	1.6 / 1.5 (500 / 450)	
	Fork dimensions (Hook Type)	l x e x s	in (mm)	47 x 6 x 3 (1,200 x 150 x 65)	
Mast	Mast / fork carriage tilt forward / backward	(α , β)	degrees	15 / 10	
	Extended mast height	h4	in (mm)	168 (4,275)	
	Lowered mast height	h1	in (mm)	99 (2,515)	
Performance	Travel speed	loaded	mph (km/hr)	18.3 (29.5)	
		unloaded	mph (km/hr)	20.4 (32.8)	
	Max. gradient performance (loaded)		%	44.5	
	Max. drawbar pull (loaded)		lb (kg)	164,549 (74,638)	
Equipment	Turning radius	Wa	in (mm)	132 (3,360)	
	Service weight		lb (kg)	22,013 (9,985)	
	Overall length	l1	in (mm)	190 (4,820)	
	Length to face of forks	l2	in (mm)	143 (3,620)	
	Load distance, center of drive axle to fork	x	in (mm)	24 (615)	
	Overall width	b1	in (mm)	82 (2,087)	
	Overhead load guard (cab) height	h5	in (mm)	98 (2,500)	
	Ground clearance	Mast	m1	in (mm)	7.7 (195)
	(unloaded)	Wheelbase	m2	in (mm)	8.7 (220)
	Wheelbase	y	in (mm)	91 (2,300)	
	Track width (front/rear)	b2	in (mm)	62 / 63 (1,580 / 1,604)	
	Engine	Manufacturer / Type	-		Kubota
Power acc. to ISO 1585			HP (kW)	106 (79)	
Rated speed			rpm	2,200	
No. of cylinder / cubic capacity			no. / in ³ (cm ³)	4 / 230 (4 / 3,769)	
Type of drive control			-		Full automatic

* Standard and optional equipment may vary. Contact your Hyundai dealer for more information. The machine may vary according to International standards.

* Materials and specifications are subject to change without advance notice.