



HYUNDAI MATERIAL HANDLING



22PSWD Straddle Stacker

Li-ion Powered 2600lbs/1200kg, Lift height: up to 142 inch/3.6m.

22PSWD

The EDGE Smart Design Pallet Stackers

22PSWD

Li-ion

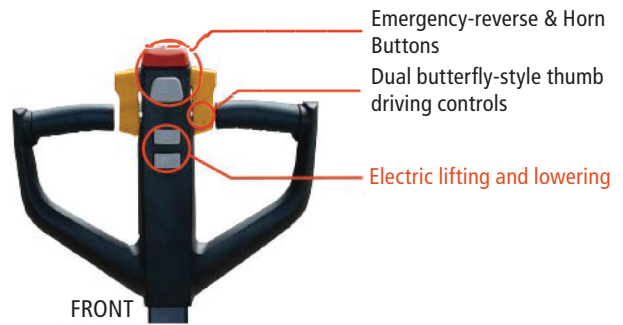
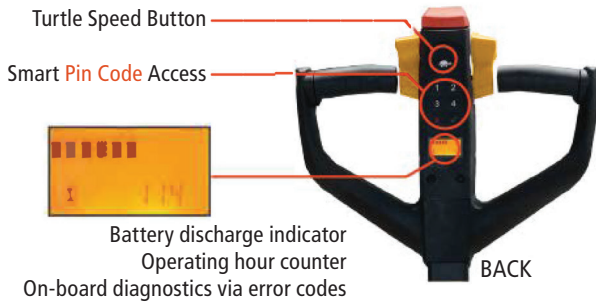
- 2600lbs/1200kg Capacity
- Perfect for light-duty applications
- Compact & light service weight
- High maneuverability
- Fast-charging Li-ion batteries
- Integrated on-board 25A charger
- Ideal for use on mezzanines
- Ultimate solution for light duty operations

DC 24V



Smart and Ergonomic Tillers

Standard For 22PSWD



RFID Card access is standard for 22PSWD

RFID card provides faster access to equipment and is ideal for applications when one truck needs to be used by different operators



Vertical Driving in Confined Space



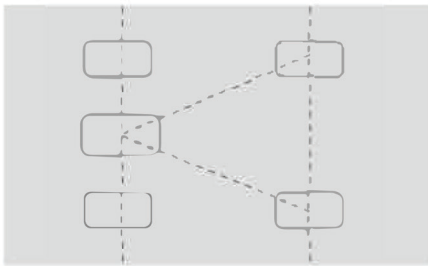
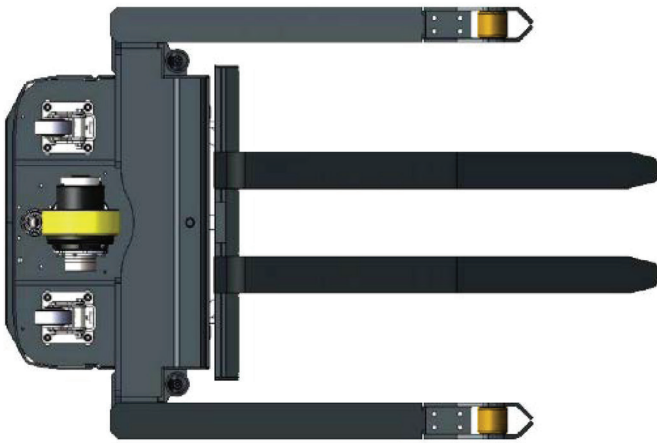
The ability to operate the unit with the tiller in the upright position allows working in confined spaces.

The tiller bar is supported by the air spring which helps to return the tiller to its vertical position without impact.

For increase of operation comfort and safety the trucks are equipped with speed reduction in turns.



Great Stability and Safety with its 3-point Structure Design

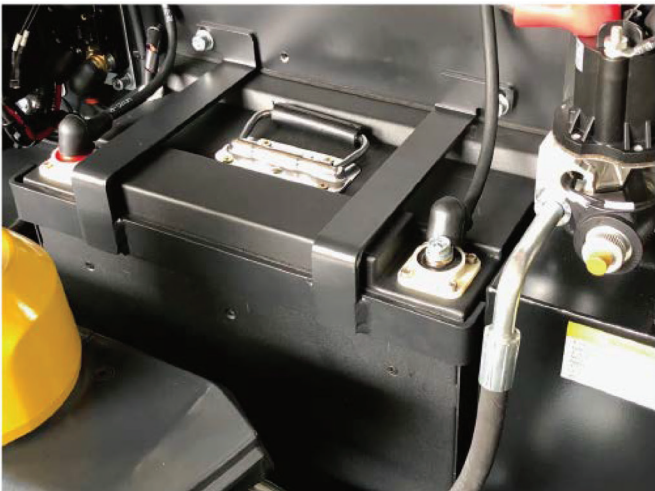


Chassis with 3+2-point structure: 1x+2/2

- The drive wheel is located in the middle for better traction and stability of the stacker.
- The support wheels with suspension are located from left and right sides and provide better lateral stability to the truck.
- Straddle legs are equipped with single rollers.

Maintenance Friendly

Convenient and fast access to any component of the truck, no elements are located in areas difficult to reach. No special tools are required.



Robustness and



Steel Cover

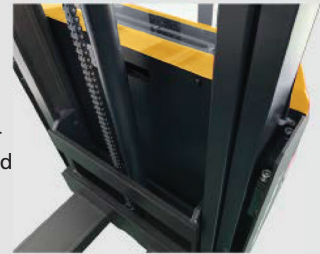
The main cover is made out of steel with 2.0mm thickness



Tiller is made of fiberglass material for high strength.

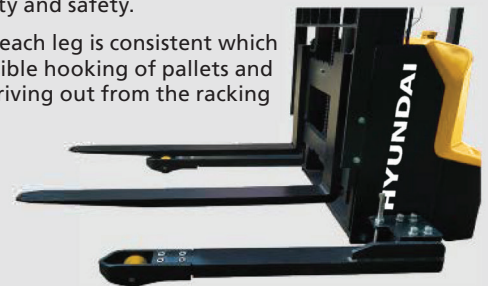
Capacity of 2600 lbs. with high residual value at maximum height (load center distance 23.6")

Real mast profiles are used for long lifetime, no cheap bended solutions used. All directed to maintain performance of the truck during its life-cycle.

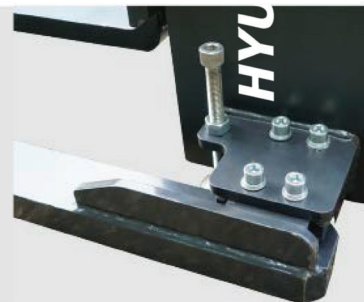


Support legs are made out of solid steel (not tube) to have enough rigidity to ensure stability and safety.

The width of each leg is consistent which prevents possible hooking of pallets and racks when driving out from the racking system.



Adjustment of S



Perfect Observation



Wide mast provides perfect observation of forks, the field of view is clear and not interrupted by mast sections, cylinder or chains.



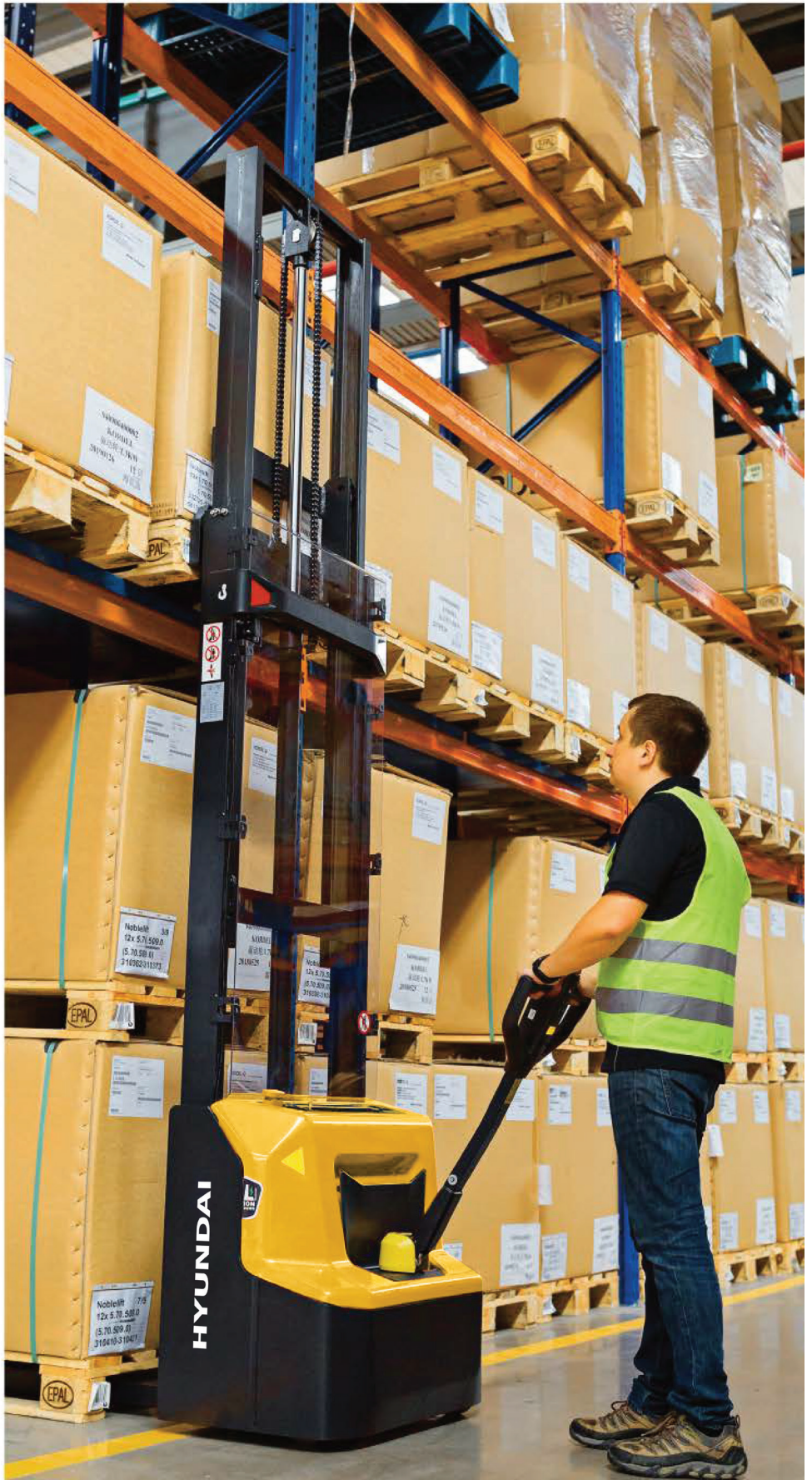
The operator can always clearly see the forks which significantly increases safety of operation.

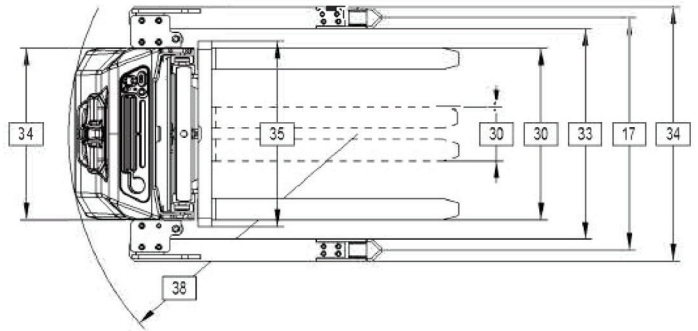
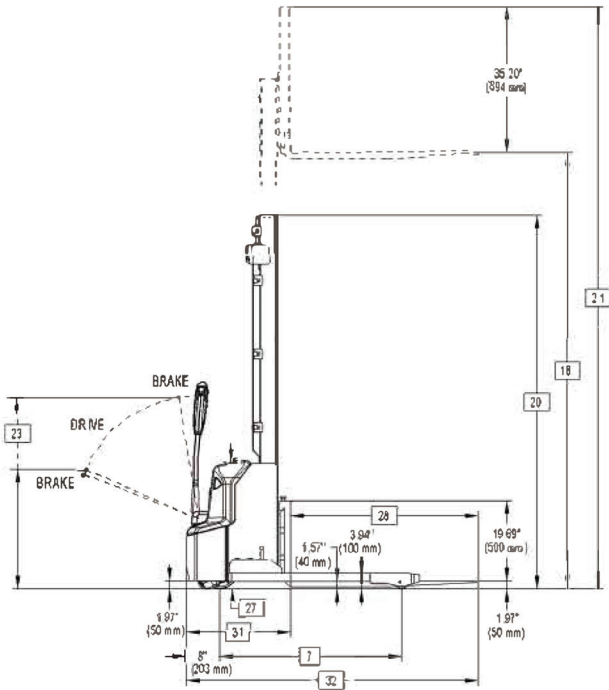
Support Legs and Forks



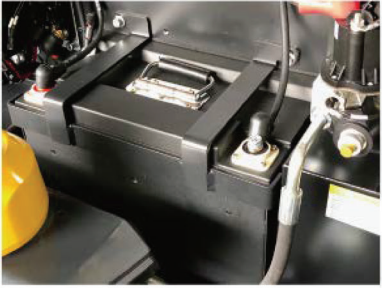
The support legs are fixed with screws located outside of the truck's body (4 screws for each side). The position can be easily adjusted according to the customer's needs to achieve the overall width of the truck: 46.5"/50.5"/54.5"/58.3".

Forged forks are supplied for long life. Width of forks is adjustable 9.9-31.5". The truck is equipped with LBR (load back rest) as standard equipment.






Mast Table			
Lift Height		m	63 79 102 114 126 142
Collapsed Height		m	76.38 92.13 70.47 76.38 82.28 90.16
Extended Height	w/o Load Backrest	m	82.68 98.43 122.05 133.86 145.67 161.42
	w/ Load Backrest	m	98.19 113.94 137.56 149.37 161.18 176.93



22PSWD

24V 60Ah Lithium LiFePO4 battery with BMS. Lithium battery has connection terminals with screws and located inside the steel case.



For 22PSWD the charger with current 25A is used.

The standard charging time is 2.5 hours.

Opportunity charging is supported.

The **22PSWD** stacker is equipped with maintenance-free 24V/60Ah LiFePO4 type Li-ion battery with fast charging and ultra-high number of charging/discharging cycles during lifetime; opportunity charging feature basically does not limit your operation time. The integrated BMS provides the same features as the BMS for the batteries of pallet trucks (refer to pallet truck section). The on-board charger with 25A current can provide full charge for less than 2.5 hours with great efficiency.



Type sheet for industrial truck acc. to VD12198 (1KG=2.2LB 1INCH=25.4MM)

				Imperial					
General Information									
2	Model			22PSWD					
	Mast Type		in mm	63	79	102	114	126	142
3	Power			Electric					
4	Operator Type			Walkie					
5	Load Capacity		lb kg	2600					
6	Load Center		in mm	24					
7	Wheelbase		in mm	43.74					
8	Weight Less Battery		lb kg	1421	1466	1587	1609	1631	1675
Tires									
13	Wheel Size Front (d x w)		in mm	8.27 x 2.76					
14	Wheel Size Rear (d x w)		in mm	3.31 x 2.76					
15	Additional Wheels Caster Wheel (d x w)		in mm	3.94 x 1.57					
16	Wheels Number (x = driven)	Front / Rear		1x+2/2					
17	Track Width		in mm	Inside Straddle + 3.94					
Dimension									
18	Lift Height		in mm	63	79	102	114	126	142
20	Collapsed Height		in mm	76.38	92.13	70.47	76.38	82.28	90.16
21	Extended Height	w/o Load Backrest	in mm	82.68	98.43	122.05	133.86	145.67	161.42
		w/ Load Backrest	in mm	98.19	113.94	137.56	149.37	161.18	176.93
23	Tiller Arm Height in Drive Position		in mm	27.95 / 45.28					
24	Outrigger Height		in mm	3.94					
25	Lowered Fork Height		in mm	1.97					
27	Power Unit Height		in mm	29.92					
28	Fork Lengths		in mm	45.28					
29	Fork Dimensions	Thickness x Width	in mm	1.57 x 3.94					
30	Width Across Forks		in mm	9.92 - 31.50					
31	Headlength		in mm	25.2					
32	Overall Length		in mm	Headlength + Fork Length					
33	Inside Straddle		in mm	38.62 / 42.56 / 46.50 / 50.43					
34	Overall Width	Front	in mm	31.5					
		Rear	in mm	Inside Straddle + 7.87					
35	Fork Carriage Width		in mm	33.27					
36	Ground Clearance	w/ Load below Mast	in mm	1.57					
37		Center Wheelbase	in mm	1.57					
38	Turning Radius		in mm	52.95					
39	Length w/ Outriggers		in mm	56.14					
Performance									
40	Travel Speed	w/ wo Load	mph km/h	2.61 / 2.80					
41	Lift Speed	w/ wo Load	fpm/m/s	21.65 / 31.50					
42	Lowering Speed	w/ wo Load	fpm/m/s	25.59 / 21.65					
44	Max Gradeability	w/ wo Load	%	4 / 10					
45	Service Brake			electromagnetic					
Battery									
47	Battery Voltage (Nominal Capacity 5 Hour Rating)	24V Lithium Battery	V / Ah	24 / 60					
48	Type of Controller			DC Speed Control					
49	Battery Weight	24V Lithium Battery	lb kg	42					

Note: English conversions are approximations. Metric conversions should be done to find true values.

HYUNDAI FORKLIFTS

DELIVERING MORE SO YOU CAN DO MORE.

As an organization committed to innovation, quality, and customer service, Hyundai has grown into one of the world's largest industrial manufacturers. When it comes to material handling, Hyundai offers a comprehensive lineup of reliable, durable, and technologically leading equipment. Our 22PSWD Straddle Stacker is part of our complete line of Class III forklifts—each engineered to bring you greater dependability, lower cost of ownership, and the value and performance you need to increase your productivity and your profits.



www.hyundaiforkliftamericas.com