

40PPW Powered Pallet Walkie 4,000 LBS

ADVANTAGES

- Ergonomic, Compact and Safe Long Tiller Design
- High Performance Maintenance-free AC Drive Unit
- High Ground Clearance for Tough-ground Applications
- Competitive Cost with Excellent Performance





Special Design

Special design for fork tip with 3 entry rollers and 4 exit rollers for easy entry and exit of the pallet, esp. when the pallet is empty or light loaded.



Built-in Charger

The built-in charger is located above the battery, easy charging after opening the battery cover.



Creep Button

Creep/Slow speed button for safe and easy operation esp. in confined spaces such as steering in the trailer.



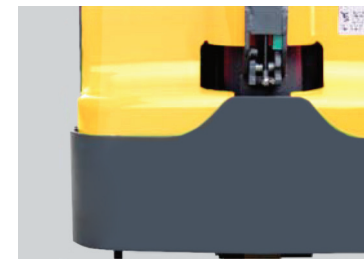
Large Capacity Maintenance-free Battery

Equipped with 24v/160Ah maintenance-free battery, with working time 12 hours according to the VDI calculation, or for continuous work of 7 hours. There are many advantages comparing to Lead-acid battery:
 No acid refilling maintenance.
 Less cable corrosion with the connection pile head.
 More protection on over-charging Bigger initiating current.
 Longer electricity storage time.
 More environment-friendly.



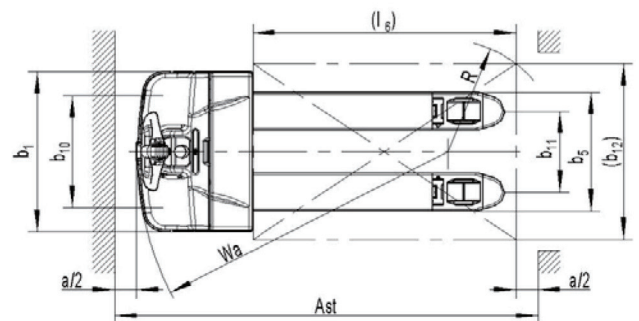
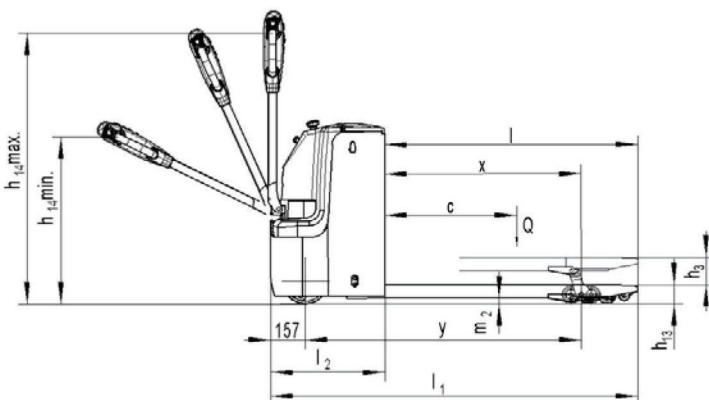
High Ground Clearance

High ground clearance, for easy operation for uneven grounds with potholes or small obstacles such as small thresholds or on trailers with lifting gates.



Robust and Reliable Design

The robust chassis with the strong 8 mm thick apron protects the truck and the components against mechanical impacts from the outside. The steel battery cover ensures the battery well protected. IP54 protection for the controller for safe operation for delivery applications where the dust and water droplets is common.



Type sheet for industrial truck acc. to VDI 219

Distinguishing mark

1.1	Manufacturer		Hyundai
1.2	Manufacturer's Model Designation		40PPW
1.3	Power Type / Electric, Diesel, LP		Electric
1.4	Operator type		Pedestrian
1.5	Load Capacity	Q (lbs)	4,000
1.6	Load center distance	C (in)	24
1.8	Load Distance, Center Of Drive Axle To Fork	X (in)	37.3
1.9	Wheel base distance	y (in)	53.5

Weight

2.1	Truck weight		lbs	913
2.2	Axle Loading, Loaded	Front / Rear	lbs	1,727 / 3,146
2.3	Axle Loading, Unloaded	Front / Rear	lbs	735 / 176

Tires, chassis

3.1	Tire type solid (V) pneumatic (P), polyurethane (PE)			Polyurethane (PU)
3.2	Front tire size		0 x width (in)	8.3 / 2.8
3.3	Rear tire size		0 x width (in)	2.9 / 3.9
3.5	Wheels, number front / rear (x = driven wheels)			1x / 2
3.6	Track width (front)		b10 (in)	22.0
3.7	Track width (rear)		b11 (in)	20.7

Dimensions

4.4	Lift Height		h3(in)	4.7
4.9	Height of tiller in drive position min. / max.		h14(in)	30.3 / 48.4
4.15	Height , lowered		h13(in)	3.0
4.19	Overall length		l1 (in)	68.3
4.20	Length to face of forks		l2 (in)	23.4
4.21	Overall width		b1 (in)	28.7
4.22	Fork dimensions		s/e/1 (in)	2.0 / 6.8 / 48.0
4.25	Distance between fork arms		b5 (in)	27.0
4.32	Ground clearance center of wheelbase		m2 (in)	1.0

Performance

5.1	Travel speed, loaded / unloaded		mph	3.1 / 3.3
5.2	Lift speed, loaded / unloaded		fpm	4.3 / 5.9
5.3	Lowering speed, loaded / unloaded		fpm	5.9 / 4.5
5.8	Max. gradeability, loaded / unloaded		%	8 / 12
5.10	Service brake			Regenerative

Motors

6.1	Drive motor rating S2 60 min		HP	1.0
6.2	Lift motor rating at S3 10%		HP	1.1
6.4	Battery voltage, nominal capacity K5		V/Ah	24 / 160
6.5	Battery weight (minimum)		lbs	330
8.1	Type of drive control		lbs	AC-Speed control
8.4	Sound level at driver's ear acc. to EN 12053		dB	69
8.6	Steering			Mechanical

40PPW

Long-tiller Powered Pallet Walkie

The 40PPW Powered Pallet Walkie is the ideal choice for material transportation in short-distance or trailer loading/unloading.

It is developed based on 45PPW targeting to markets such as North America market.

It is equipped with AC drive unit, Curtis Controller and maintenance-free battery and built-in charger, competitive in cost with attractive price comparing to counterparts in the industry.



AUTHORIZED DEALER

Hyundai Material Handling

6100 Atlantic Blvd.
Norcross, GA 30071
P: 678-823-7777
TF: 1-877-509-2254
F: 678-823-7778
hyundaiforkliftamericas.com

40PPW 02/21 v.3